

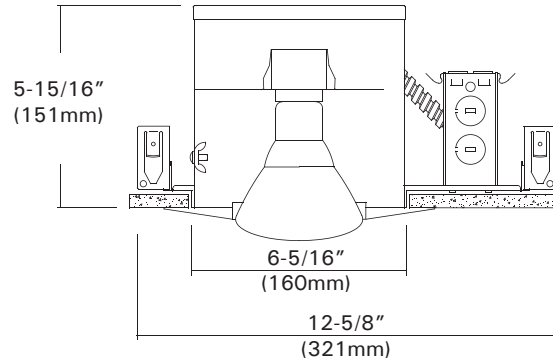
IC-406AT

120V Line Voltage

6" IC Type Shallow Housing For Incandescent

Catalog #		Type
Project		Date
Prepared by		

INCANDESCENT



DESCRIPTION

The IC-406AT is a 6" aperture shallow housing for 75W Type A incandescent lamps.

APPLICATION

The IC-406AT is designed for use in insulated ceilings and can be in direct contact with insulation material. The AIR-TIGHT housing design prevents airflow through the ceiling, helping save on heating and cooling costs. The IC-406AT offers a wide choice of trim types, including reflector, lensed and wall wash trims.

DESIGN FEATURES

Ceiling Cut-out : 6-1/2"
Lamp, Max, Watt. : 75W A19/R40/R30/PAR38/PAR30

• Housing

- Single wall aluminum housing
- 5-7/8" height allows use in 2"X6" joist construction.
- Housing adjusts for ceilings up to 1-1/4" thick.

• Junction Box

- Listed for through branch circuit wiring.(Max.8 No 12 AWG 90°C branch circuit conductors. (4 in, 4 out)
- (5)1/2" knockouts with true pry-out slots and (4) knockouts with Romex cable clamp.
- Ground wire provided on J-box.

• Mounting Frame

- Galvanized steel construction.
- 10-3/8"L x 7-1/16"W

• Bar hangers

- Maximum extension of 24" allows for extra distance between joists.
- Housing can be positioned at any point within 24" joist span.
- Score lines allow "toolless" shortening for 12" joists. Bar hangers may be repositioned 90 degrees.
- Integral T-bar clips snaps onto T-bars and no additional clips are required.

• Just-A-Nail

- Pre-installed nail bars with vertical slots are used to evenly align the bars horizontally after nailing halfway into wood joists.

• Socket

- Medium base porcelain with nickel-plated copper screw shell.
- Snaps into bracket for consistent lamp positioning.

• Lamp

- Lamp ratings based on trim selected - See trim page for more details.

• Thermal Protector

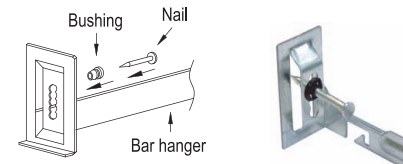
- Self-resetting thermal protector in the housing deactivates fixture if overheating occurs due to improper lamping or mis-applied insulation.

* Listing

- UL, c-UL listed for damp location.
- UL, c-UL listed for feed through.

• Just-A-Nail

Adjustable nail hanger bar for easy alignment.



JUST-A-NAIL

• Optional "Quick Connect" Push-in wire connectors.

- Three "Quick Connectors"
- Pre-installed push-in wire connectors for fast and easy wiring.

• Compliance

- Washington State Energy Code.
- New York State Energy Conservation Construction Code.
- Certified AIR-TIGHT Under ASTM E283.

Trims

6" Incandescent Trims For

DL-406, DL-406R, IC-406AT, IC-406RAT

Catalog #		Type
Project		Date
Prepared by		

INCANDESCENT

<p>TM-3 (For PAR30) TM-4 (For PAR38) Open Trim NON-IC : PAR30-75W R30/BR30-65W NON-IC : PAR38/R40-150W White Metal Trim Ring O.D : 8"</p>	 <p>TM-3-WH TM-4-WH</p>	<p>TM-8E Eyeball NON-IC : PAR30L/BR30 -75W IC : PAR30L-75W White Metal Trim Ring O.D : 8-1/8"</p>	 <p>TM-8E-WH</p>
<p>TM-98E Regressed Eyeball w/Baffle NON-IC : PAR30L/BR30-75W IC : PAR30L-50W White Metal Trim Ring O.D : 7-1/2"</p>	 <p>TM-98E-WH TM-98E-BK</p>	<p>TM-52 Wall Wash NON-IC : A19-60W White Metal Trim Ring O.D : 8-1/8"</p>	 <p>TM-52-WH</p>
<p>TM-3B/TM-3BF TM-3BP (For Lexan) Metal Baffle PAR30/R30 - 75W Max. White Plastic Trim Ring O.D : 7-1/2" *Symbol (BF) is for self-flange</p>	 <p>TM-3B-WH TM-3B-BK</p>	<p>TM-54B (w/ Baffle) TM-54R (w/ Reflector) Wall Wash NON-IC : PAR30/R30-75W White Plastic Trim Ring O.D : 7-1/4" (Only)</p>	 <p>TM-54B-WH TM-54R-CL</p>
<p>TM-4B/TM-4BF TM-4BP (For Lexan) Metal Baffle NON-IC : PAR38/R40-150W Max. White Plastic Trim Ring O.D : 7-1/2" *Symbol (BF) is for self-flange</p>	 <p>TM-4B-WH TM-4B-BK</p>	<p>TM-5/TM-5P TM-15P (w/ Reflector) Shower Fresnel lens NON-IC : A19 - 60W Max. IC : A19 - 40W Max. White Metal Trim Ring O.D : 8-1/8" *Symbol (P) is for Lexan Trim</p>	 <p>TM-5-WH</p>
<p>TM-3R Specular Reflector NON-IC : PAR30/R30 -75W IC : PAR30L-75W BR30-65W PAR30-50W. White Plastic Trim Ring O.D : 7-1/2"</p>	 <p>TM-3R-CL TM-3R-GD</p>	<p>TM-6/TM-6P TM-16P (w/ Reflector) Shower Drop Opal lens NON-IC : A19 - 60W Max. IC : A19 - 40W Max. White Metal Trim Ring O.D : 8-1/8" *Symbol (P) is for Lexan Trim</p>	 <p>TM-6-WH</p>
<p>TM-4R Specular Reflector NON-IC : PAR38/R40-150W White Plastic Trim Ring O.D : 7-1/2"</p>	 <p>TM-4R-CL TM-4R-GD</p>	<p>TM-7/TM-7P TM-17P (w/ Reflector) Shower Albalite Lens NON-IC : A19 - 60W Max. IC : A19 - 40W Max. White Metal Trim Ring O.D : 8-1/8" *Symbol (P) is for Lexan Trim</p>	 <p>TM-7-WH</p>

ORDERING INFORMATION

Choose the catalog / finish codes that best suit your needs and enter it on the appropriate line.

TRIM MODEL	REFLECTOR	BAFFLE	METAL RING
	CL :Clear	WH :White	WH :White
	WH :White	BK :Black	BK :Black
	GD :Gold	SN :Satin Nickel	SN :Satin Nickel
	MA :Matte Platinum	AN :Antique Nickel	AN :Antique Nickel
	CP :Champagne	AC :Antique Copper	AC :Antique Copper
	PR :Pewter	MO :Mocha	MO :Mocha
	HC :Haze Clear	CA :Cappuccino	CA :Cappuccino
		CH :Chrome	CH :Chrome
		UN :Natural Steel	UN :Natural Steel
		PB :Polished Brass	PB :Polished Brass

Examples:

TM-3-WH = White Trim Ring
TM-3B-UN = Natural Steel Trim Ring w/Natural Steel Baffle
TM-52-WH = White Trim Ring w/ White Wall Wash Plate

◆ Available with metal rings (7-1/2" O.D).

◆ All trims are damp location, Lens trims are wet location listed.

PLASTIC RING OPTIONS

WS :7-1/4" O.D (White)
WO :7-7/8" O.D (White)